

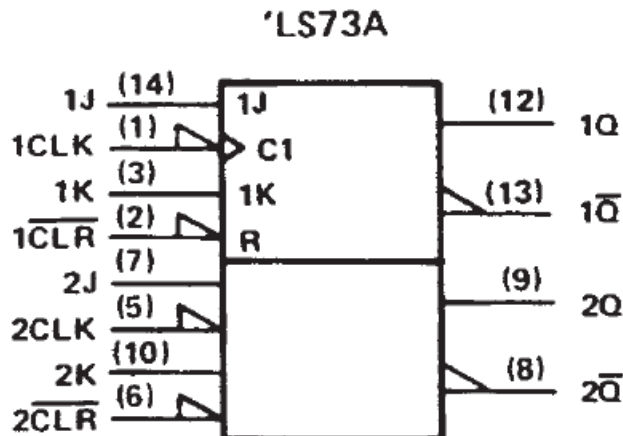
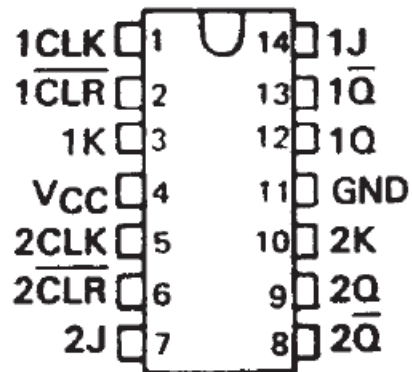
SN5473, SN54LS73A . . . J OR W PACKAGE

SN7473 . . . N PACKAGE

SN74LS73A . . . D OR N PACKAGE

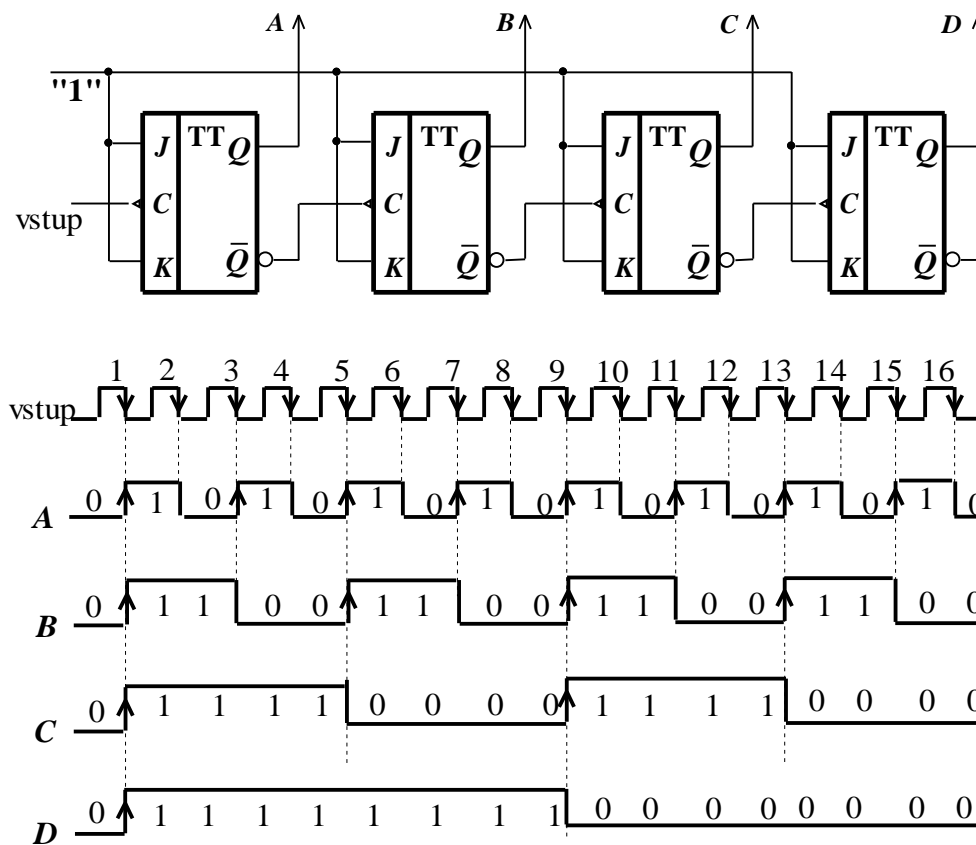
'LS73A
FUNCTION TABLE

(TOP VIEW)



| INPUTS | | | | OUTPUTS | |
|--------|-----|---|---|---------|-------------|
| CLR | CLK | J | K | Q | \bar{Q} |
| L | X | X | X | L | H |
| H | ↓ | L | L | Q_0 | \bar{Q}_0 |
| H | ↓ | H | L | H | L |
| H | ↓ | L | H | L | H |
| H | ↓ | H | H | TOGGLE | |
| H | H | X | X | Q_0 | \bar{Q}_0 |

Realizácia asynchrónneho dvojkového čítača vzad na báze JK klopných obvodov pre $n=16$

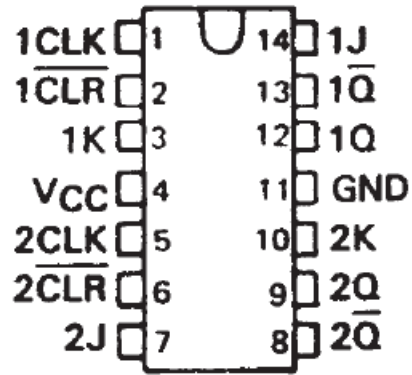


SN5473, SN54LS73A . . . J OR W PACKAGE

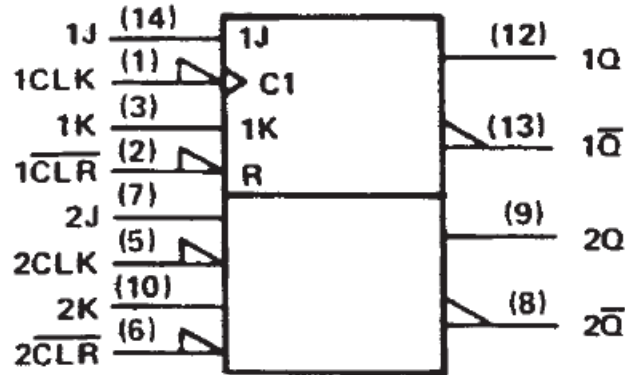
SN7473 . . . N PACKAGE

SN74LS73A . . . D OR N PACKAGE

(TOP VIEW)

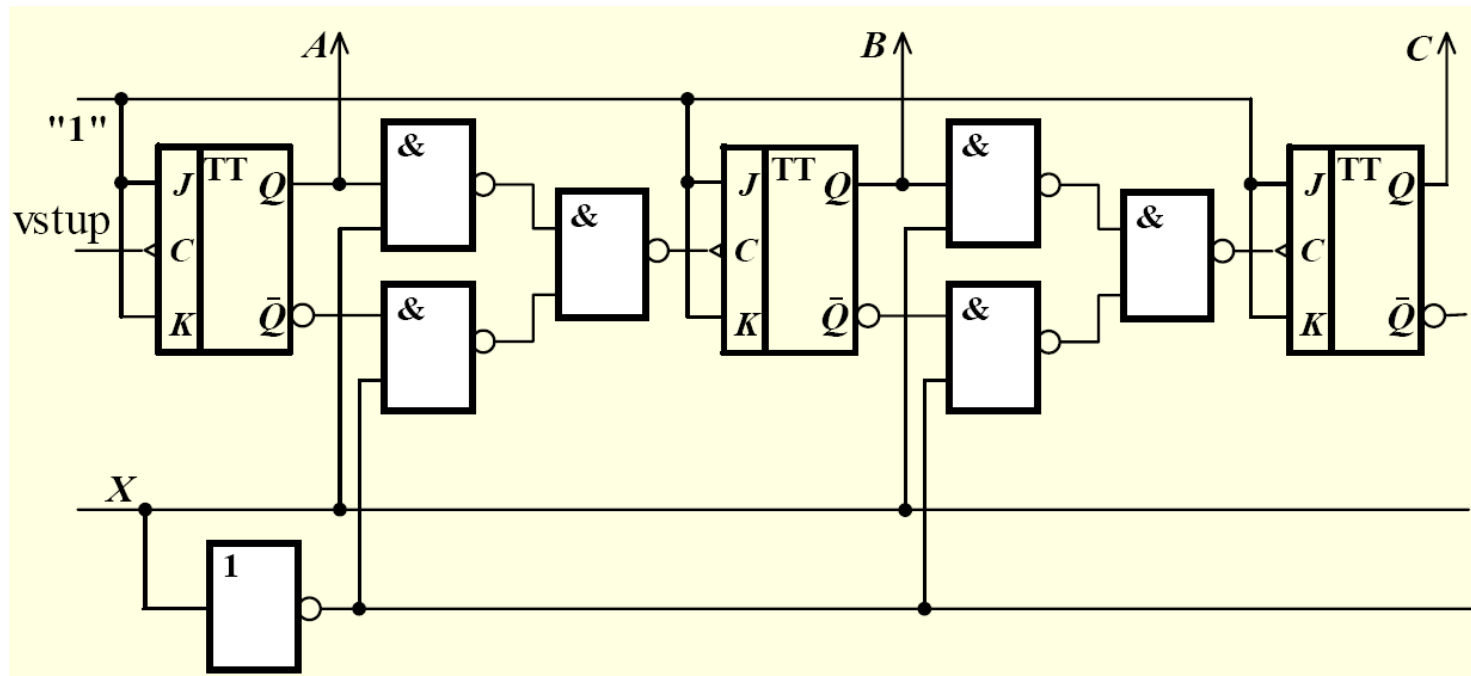


'LS73A



'LS73A
FUNCTION TABLE

| INPUTS | | | | OUTPUTS | |
|--------|-----|---|---|---------|-------------|
| CLR | CLK | J | K | Q | \bar{Q} |
| L | X | X | X | L | H |
| H | ↓ | L | L | Q_0 | \bar{Q}_0 |
| H | ↓ | H | L | H | L |
| H | ↓ | L | H | L | H |
| H | ↓ | H | H | TOGGLE | TOGGLE |
| H | H | X | X | Q_0 | \bar{Q}_0 |



Realizácia asynchrónneho reverzného čítača na báze JK klopných obvodov pre n=16

