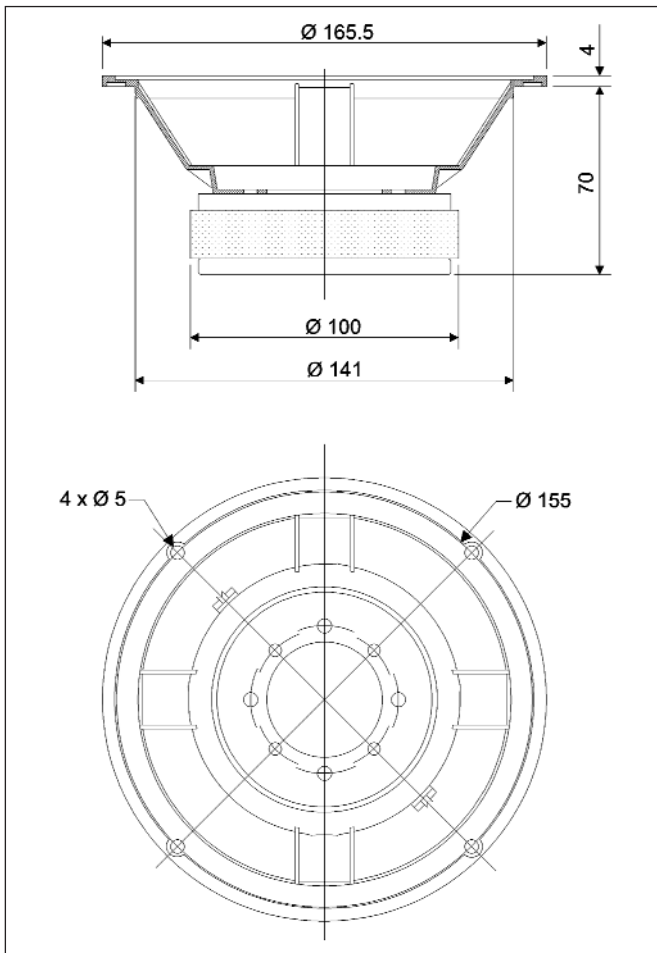


## AUDIOPHILE SERIES

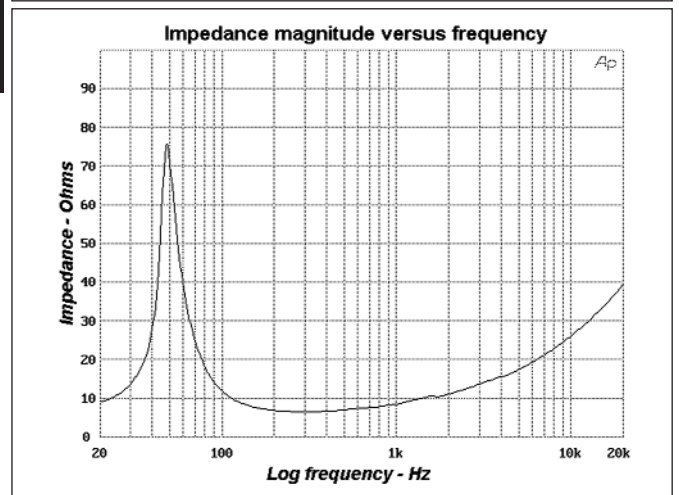
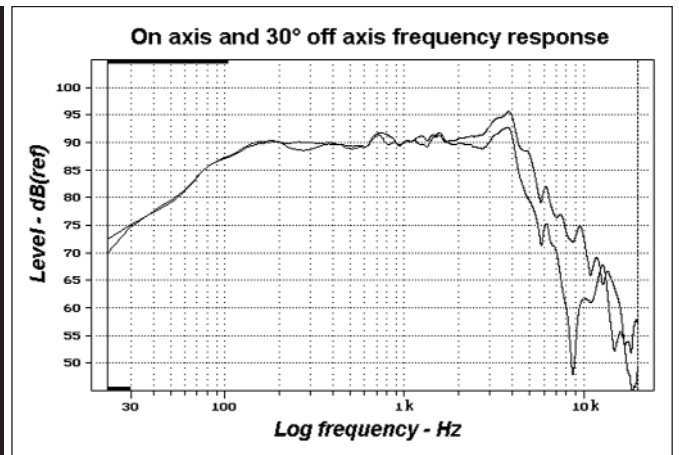
- Thick zamak alloy metal cast frame
- Straight profile PolyKevlar® cone, rubber surround
- Edgewound flat copper wire 40 mm voice coil, Kapton™ former
- Efficiency : 89.2 dB
- Excellent for small 15 to 20 l vented 2-way systems, superb transients



### DRAWING



### MEASUREMENTS



### SPECIFICATIONS

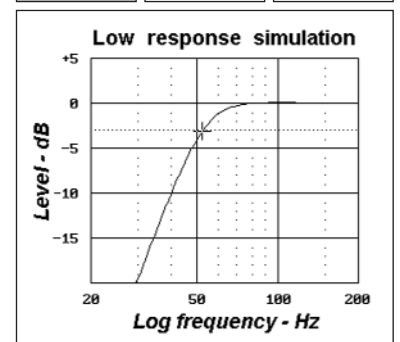
Nominal power handling	90	W
Program power handling	125	W
Sensitivity	90.5	dB (2.8V/1m)
Cone	Polykevlar®	
Surround	Rubber	
Nominal impedance	8	Ω
DC resistance	6.2	Ω
VC diameter	40	mm
VC height	13	mm
Former	Kapton™	
Layers	1	
Wire	Copper	
Inductance	0.57	mH
Xmax	3.5	mm
Magnet diameter x height	100 x 18	mm x mm
Magnet weight	564	g
Flux density	0.92	T
Gap height	6	mm
Net weight	1.8	kg

### PARAMETERS

Fs	52.0	Hz
Vas	16.0	l
Qts	0.39	
Qes	0.41	
Qms	7.41	
Re	5.8	Ω
Sd	124.7	cm²
Cas	114E-9	m²/N
Mas	3 616.5	kg/m⁴
Ras	81.9	Ω.ac
Cms	734E-6	m/N
Mms	12.7	g
Rms	562	g/s
Ces	215.0	μF
Les	43.5	mH
Res	105.4	Ω
Bl	7.7	N/A
SPL	89.3	dB/W/m

### SIMULATION

Ql:	7	Ω
Rg:	0.3	
Qts (+Rg):	0.41	



Vb:	15	l
Fb:	52.6	Hz
F-3:	52.2	Hz